

## LS2 Motors Specification Parameters:

### Performance:

Maximum Allowable Velocity:	20 [mm/sec]
Dynamic Stall Force:	2 to 3 [N]
Static Holding Force	1.8 [N] (reference value)
Non-Energized Stiffness	1.4 to 1.8 [N/ $\mu$ ]
Nominal Preload on Stage	18 [N]
Kf	0.7 to 1.1 [N/Volt command] – driver & command dependant
Kfv	18 to 22 [N • sec/m]
Offset	1 to 2 [V] – Driver dependant
Attainable Resolution	Better than 100 nm – see application notes.
Nominal Lifetime	20,000 hours under nominal operating conditions

### Electrical:

Maximal Voltage:	100 Vrms, 39.6KHz, sine wave
Maximal Current consumption :	60 mA rms
Maximal Power Consumption :	0.8 W

### Environmental:

Ambient Temperature:	0 - 50°C
Storage:	-20°C - +70°C
Humidity:	0 - 80% non condensing

### Motor + Brush Physical Dimensions:

Length:	42 mm
Width:	45 mm
Height:	17 mm
Weight:	65 gr

Instead of

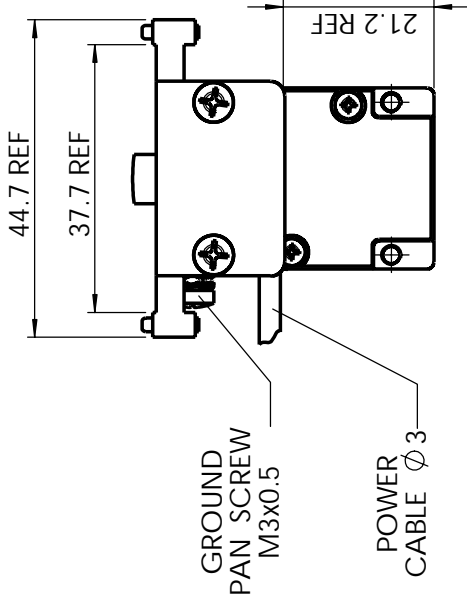
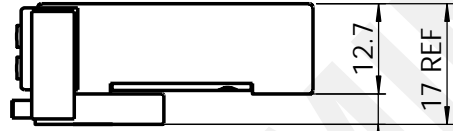
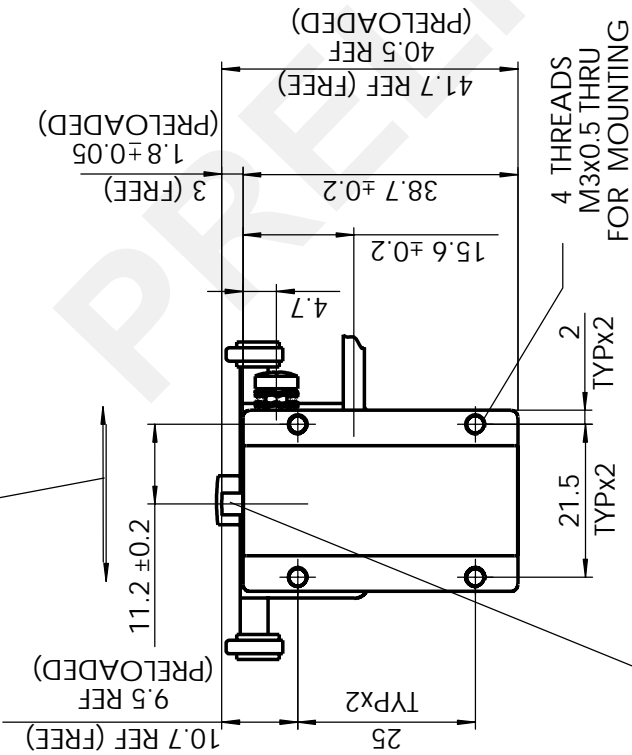
DESCRIPTION

ECO #

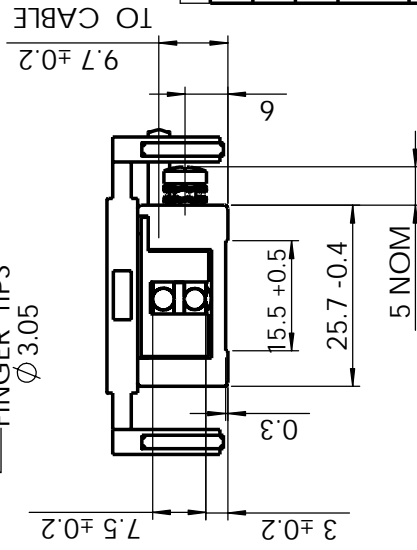
DATE

VER/REV

DIRECTION OF MOTION



PRELIMINARY



Copyright by NANOMOTION Ltd. ALL RIGHTS RESERVED! This drawing contains confidential & proprietary information which the authorised recipient agrees & not to disclose.

FINISH:

MATERIAL:

ALL DIMENSIONS ARE IN: mm

TOLERANCES UNLESS OTHERWISE SPECIFIED:  
LINEAR - ±0.1; ANGULAR - ±1°



PART NAME **LS2S MOTOR LAYOUT**

PART NUMBER

**LS2S-M10-L00-00**

DESIGNED GIL S.

DRAWN GR. Z.

CHECKED ALON A.

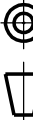
APPROVED LIOR SH.

NAME

SIGNATURE

DATE

26.10.99



TO CABLE

SCALE 1:1

DWG A4 SIZE

SHEET 1 OF 1

